



CORNER EGG FRAME



The Big Green Egg Modular EGG Workspace has a new and value-adding addition: the Corner EGG Frame for the Large and XLarge* models. It has been specifically designed for creating an outdoor kitchen with a 90-degree angle and can, of course, be combined with the Expansion Modules. The frame and legs are made of powder-coated aluminium and the crossing beams of powder-coated steel providing additional load-bearing capacity. Placing the Big Green Egg in a Corner EGG Frame will maximise the workspace of an L-shaped outdoor kitchen.

XL Corner EGG Frame with separately available Expansion Frame (120236) and Expansion Cabinet (122247)

- Powder-coated aluminium and steel construction
- Incl. 5 adjustable legs
- The legs can be used to fix the separately available castors on to (Caster Kit, 120410)

* The top of the XL Corner EGG Frame has a recess at the back of the EGG so that the lid can be fully opened.

Item code:

XLarge: 128782

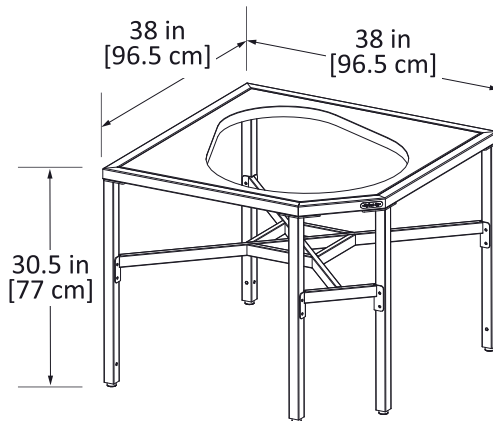
Large: 128775



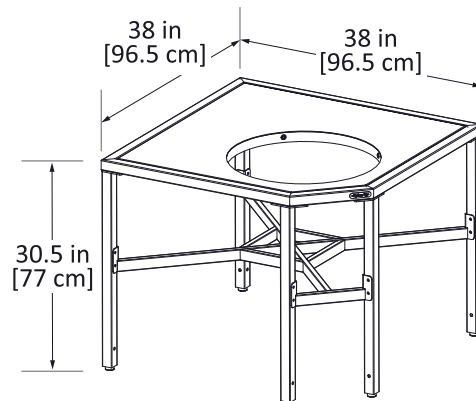
CORNER EGG FRAME



XL



L



Item code:

XLarge: 128782

Large: 128775